



HEADQUARTERS

Havayar Bldg., 14th Street (Gandhi),
Before Vanak Sq., Valiasr St.
Tehran - IRAN

T : +98 21 41976
F : +98 21 8820 2425

MAIN FACTORY

West 5th Golestan St., Baharestan Industrial
Complex, 5th Km Of Karaj - Qazvin Freeway
Karaj - IRAN

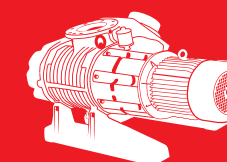
T : +98 26 3476 0145 - 51

www.havayar.com
info@havayar.com
crm@havayar.com



Vacuum Solutions- An overview

Industrial Vacuum Pumps and Systems





—
*Tomorrow
needs Innovation.*
—



HAVAYAR
Tomorrow Needs Innovation.

Industry Leading Vacuum Pumps and Central System

Vacuum, the invisible force, is indispensable in industrial production facilities around the world. When an industrial application requires a clean environment or pressure below atmospheric levels, a steady supply of vacuum is needed. Our vacuum products are the starting point to providing a total vacuum solution for dedicated point-of-use machines and central vacuum systems.

At Havayar Industrial Group, our business is propelled by the drive to make processes run more effectively by understanding the needs of the industries we serve. Our vacuum specialists are constantly improving the performance of our products, targeting new application areas and meeting new challenges. Our broad product portfolio and application expertise mean the right vacuum solution for your application, configured to your specific needs and bringing you predictable performance you can rely on.

Vacuum solutions for every application

From food packaging, electronics, glass bottle and can production, paper printing, toothpaste degassing, automotive parts handling, pharmaceuticals conveying, plastic extrusion, woodworking, brick and clay manufacture, to almost all general manufacturing, utility vacuum is used across industries in multiple applications. As the leading innovator in the industrial vacuum market, we have continued focus on energy efficiency that translates into savings for our customers. Whatever the application, we provide the apt vacuum solution.

An Havayar Industrial Group Vacuum Solution for every application



Degassing



Consumer electronics



Pneumatic conveying



Holding/Lifting/Moving



Wood Working



Preserving



Drying



Altitude simulation



Food processing



Medical Applications



Extrusion



Cooling



Glass



Pressing/Laminating



Filtration



Shaping/Forming



Canning



Packaging

EVISA systems provide a highly reliable medical vacuum (suction) for a variety of applications, mainly in operating theaters and intensive care, emergency and respiratory units. Specific applications include:

- Wound drainage
- Assisted wound closure
- Chest and lung drainage
- Removal of excess blood during surgery
- Collection of other bodily fluids
- Gastric emptying
- Cleaning endotracheal tubes
- Liposuction (lipoplasty)



New generation of vacuum pumps with fast pumping speed due to 6.10^{-2} mbar absolute end vacuum

High flow rate at 1 mbar

Internal design providing a low noise level for an easy integration into industrial machines

Installation near operators



Delivery with MV99S 100% synthetic oil for long life time and heavy duty operating conditions



Oil filter standard on each size of vacuum pump with dual recycling oil circuit

Accessible & adjustable gas ballast following customer process with high capacities of water pumping



Possible customisation of the protection cover



- Options:
- Oil level switch
 - PT100 temperature sensor
 - Many other options available



EVISA E65.R

Accessories and Options

1 Oil Level Safety (OLS) with float		625369
PT100 temperature sensor		625021
NC bimetal temperature safety - opening at 120°C - Max 24V		625022
2 1"1/4 BSP suction filter Type 126	Paper cartridge	706192
	Polyester cartridge	709398
	Carbon cartridge	710521
Ø126 vacuum gauge fitted on filter		617536
1"1/4 BSP polyester/carbon double filtration 126PO + 126CH		670617
Adjusting valve fitted on T-square		713841
3 Liquid trap 125 120 m ³ .h ⁻¹ 1"1/4 BSP	Aluminium head / plexiglass cylinder / without mechanical float	724797
	Aluminium head / plexiglass cylinder / with mechanical float	724798
	Aluminium head / Pyrex cylinder / without mechanical float	724811
	Aluminium head / Pyrex cylinder / with mechanical float	724812
	Stainless steel head / Pyrex cylinder / without mechanical float	724799
	Stainless steel head / Pyrex cylinder / with mechanical float	724800
	Pyrex bottle 250 ml under trap assembly	615441
	Pyrex bottle 500 ml under trap assembly	615442
	Pyrex bottle 1000 ml under trap assembly	615443
Electro-pneumatic automatic drain with control board		816002
Electrical automatic drain with control board		816003
Vacuum hose (0,6 m) MF 1"1/4 BSP		670650
Vacuum hose (1 m) MF 1"1/4 BSP		607058
Vacuum hose (1,5 m) MF 1"1/4 BSP		610457
Suction hose (1m) MM 1"1/4 with no return valve		770152
Exhaust double elbow mounting		625480
Base frame assembly height 150 mm		625209
4 Elevated base frame (H=525 mm)	For 1 pump	624611
	For 2 pumps	619544
	For 3 pumps	617614
Direct starter (wall mounting)	Without regulation contact 3-ph 400V	770496
	Without regulation contact 3-ph 230V	770498
	With regulation contact LG7 3-ph 400V	710423
	With regulation contact LG7 3-ph 230V	710432
Control board with FLE XO solenoid valve 3-ph ,400V + N for warm up and degasing cycle		770813
Control board with FLE XO solenoid valve 3-ph ,400V + N for degasing cycle		770820



1 Oil Level Safety



2 suction filter type 126

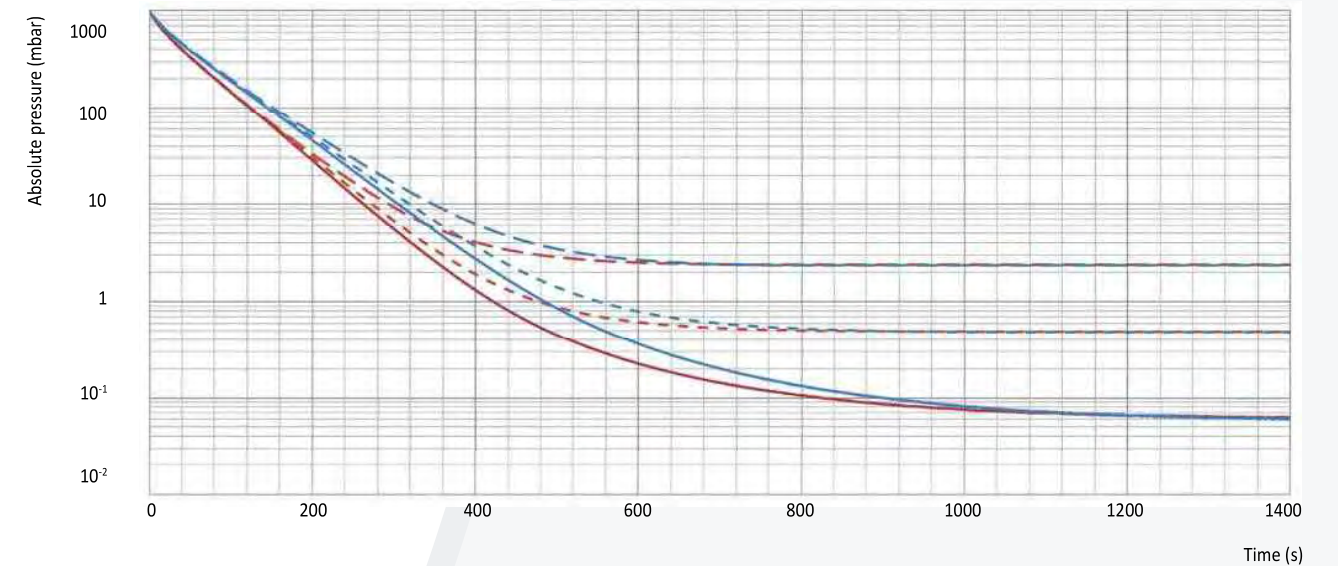


3 Liquid trap 125 with mechanical stop and optional bottle

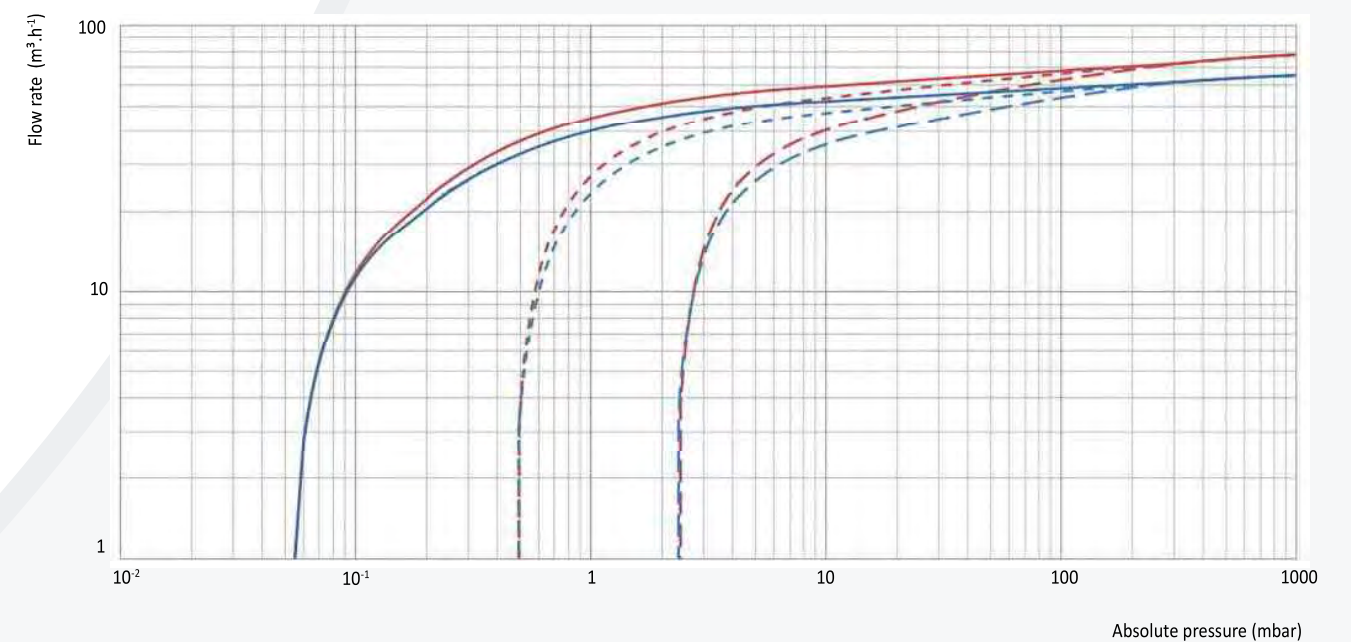


4 Elevated base frame for 2 pumps

Pumping speed on 1000 l vessel



Performance curves



— 60 Hz - Without gas ballast
 - - - 60 Hz - opened gas ballast 1,5 rotation
 — 60 Hz - Fully opened gas ballast
— 50 Hz - Without gas ballast
 - - - 50 Hz - opened gas ballast 1,5 rotation
 — 50 Hz - Fully opened gas ballast

EVISA E65.R



The lubricated rotary vane pumps EVISA are designed for a wide range of industrial and healthcare applications. They can run continuously from atmospheric pressure to ultimate vacuum. They are silent and extremely robust.

They can run continuously from atmospheric pressure to ultimate vacuum.

They are silent and extremely robust.

- Single stage vacuum pump with the end vacuum of 6.10^{-2} mbar
- Compactness and noise level optimized for an easy integration in machines
- High water vapor pumping capacity with finely adjustable gas ballast
- Designed for light onsite maintenance without piping disconnection
- Integrated oil mist filter on the exhaust
- IE3 motor

Technical characteristics

		50 Hz	60 Hz	
E65.R HV	Nominal flow rate $m^3 \cdot h^{-1} - cfm$	68 - 40	81,6 - 48	
	PNEUROP pumping speed ⁽¹⁾ $m^3 \cdot h^{-1} - cfm$	65 - 38,2	78 - 45,9	
	Pumping speed at 1 mbar inlet pressure ⁽¹⁾ $m^3 \cdot h^{-1} - cfm$	40 - 23,5	48 - 28,2	
	Without gas ballast End vacuum mbar - torr	$\leq 6.10^{-2} - 4,5.10^{-2}$	$\leq 6.10^{-2} - 4,5.10^{-2}$	
	Opened gas ballast 3 rotations	End vacuum mbar - torr	$\leq 5.10^{-1} - 3,8.10^{-1}$	$\leq 5.10^{-1} - 3,8.10^{-1}$
		Water vapor permitted maximum pressure mbar - torr	50 - 37,5	42 - 31,5
	Fully opened gas ballast	Water vapor capacity $kg \cdot h^{-1}$	2	1,9
		End vacuum mbar - torr	$\leq 3 - 2,3$	$\leq 3 - 2,3$
		Water vapor permitted maximum pressure mbar - torr	80 - 60	67 - 50
		Water vapor capacity $kg \cdot h^{-1}$	3	3
E65.R	Without gas ballast End vacuum mbar - torr	$\leq 3 - 2,3$	$\leq 3 - 2,3$	
	Fully opened gas ballast	End vacuum mbar - torr	$\leq 5 - 3,8$	$\leq 5 - 3,8$
		Water vapor permitted maximum pressure mbar - torr	49 - 36,7	43 - 32,2
	Water vapor capacity $kg \cdot h^{-1}$	1,7	1,7	
100 % synthetic oil	MV99S	MV99S		
Oil capacity l - qt	3 - 3,2	3 - 3,2		
Noise level dB(A)	67	72		

⁽¹⁾ Measurements according to PNEUROP 6602 specifications - 20°C

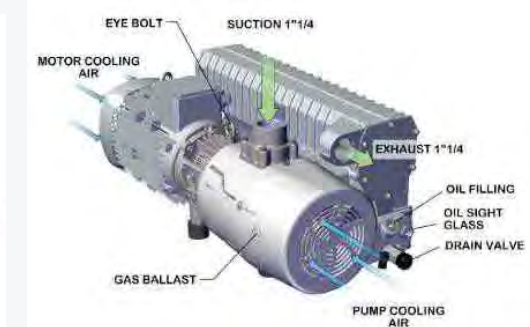
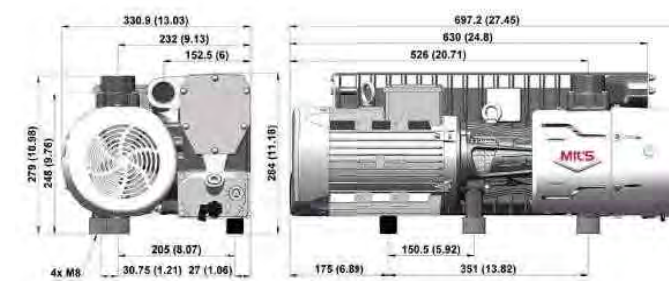
Versions

GEOGRAPHIC ZONE	EUROPE	ASIA MIDDLE-EAST	SOUTH AMERICA	USA	JAPAN
Number of phases	3	3	3	3	3
Voltage V	230 / 400	220 / 380	190 / 380	208-230 / 460	200 / 380
Period Hz	50	60	50	60	50/ 60
Motor power	1,50 kW	1,80 kW	1,50 kW	3 HP	1,50 / 1,80 kW
Rotation speed min^{-1}	1500	1800	1500	1800	1500/1800
Inlet connection ⁽²⁾	1"1/4 BSP	1"1/4 BSP	1"1/4 NPT	1"1/4 NPT	1"1/4 BSP
Outlet connection ⁽³⁾	1" 1/4 BSP	1" 1/4 BSP	1" 1/4 NPT	1" 1/4 NPT	1"1/4 BSP
Weight with oil kg - lb	63,4 - 139,8	71,6 - 157,9	78,5 - 173,1	78,5 - 173,1	63,4 - 139,8

⁽²⁾ DN 40 ISO-KF adaptation flange can be supplied, see accessories

⁽³⁾ DN 40 ISO-KF connector can be supplied, see accessories

Dimensions mm (inch)



References

	E65.R HV		E65.R	
	WITH GAS BALLAST	WITHOUT GAS BALLAST	WITH GAS BALLAST	WITHOUT GAS BALLAST
EUROPE 3ph, 230/400V-50Hz	824247	824248	824245	824246
SOUTH AMERICA/ USA 3ph, 190/380V-50Hz, 208-230/460V-60Hz	824255	824256	824253	824254
ASIA / MIDDLE-EAST 3ph, 220/380V-60Hz	824263	824264	824261	824262

JAPAN version - Contact us
Oxygen version available - Contact us

HV Accessories - KF connection



1 Suction filter DN40KF -Type 100

Suction flange DN40KF	625018
Paper cartridge	625009
1 Suction filter DN40KF - Type 100	625010
Polyester cartridge	625011
Carbon cartridge	625011
Aluminium clamping ring DN40KF	361639
Stainless steel / Viton DN40KF centering ring	361642
Stainless steel DN40KF hose - 0,5 m	361646
Stainless steel DN40KF hose - 1 m	361647
Elbow DN40KF	333818
Equal T-square DN40KF	333819
Manual ball valve DN40KF	333820
Solenoid valve DN40KF	333821
Exhaust adapter 1"1/4 BSP - DN40KF	625109

Maintenance kits

3 000 hour usual maintenance with silicone o'ring for oil mist filter	724601
3 000 hour usual maintenance with viton o'ring for oil mist filter	724602
12 000 hour preventive maintenance	724603



3 000 hour usual maintenance



12 000 hour preventive maintenance

Oxygen version maintenance available - Contact us

Specifications are subject to be changed without notice.

EVISA E100.R



The lubricated rotary vane pumps EVISA are designed to be used in a wide range of industrial and healthcare applications.

They can run continuously from atmospheric pressure to ultimate vacuum.

They are silent and extremely robust.

- Single stage vacuum pump with the end vacuum of 6.10^{-2} mbar
- Compactness and noise level optimized for an easy integration in machines
- High water vapor pumping capacity with finely adjustable gas ballast
- Designed for light onsite maintenance without piping disconnection
- Integrated oil mist filter on the exhaust
- IE3 motor

Technical characteristics

		50 Hz	60 Hz	
E100.R HV	Nominal flow rate $m^3 \cdot h^{-1} - cfm$	100 - 58,8	120 - 70,6	
	PNEUROP pumping speed ⁽¹⁾ $m^3 \cdot h^{-1} - cfm$	96 - 56,5	115 - 67,7	
	Pumping speed at 1 mbar inlet pressure ⁽¹⁾ $m^3 \cdot h^{-1} - cfm$	52 - 30,6	62 - 36,5	
	Without gas ballast End vacuum mbar - torr	$\leq 6.10^{-2} - 4,5.10^{-2}$	$\leq 6.10^{-2} - 4,5.10^{-2}$	
	Opened gas ballast 3 rotations	End vacuum mbar - torr	$\leq 5.10^{-1} - 3,8.10^{-1}$	$\leq 5.10^{-1} - 3,8.10^{-1}$
		Water vapor permitted maximum pressure mbar - torr	59 - 44,2	49 - 36,7
	Fully opened gas ballast	Water vapor capacity $kg \cdot h^{-1}$	3,4	3,2
		End vacuum mbar - torr	$\leq 2 - 1,5$	$\leq 2 - 1,5$
		Water vapor permitted maximum pressure mbar - torr	95 - 71,2	79 - 59,2
	E100.R	Water vapor capacity $kg \cdot h^{-1}$	5,5	5,2
Without gas ballast End vacuum mbar - torr		$\leq 3 - 2,3$	$\leq 3 - 2,3$	
End vacuum mbar - torr		$\leq 5 - 3,8$	$\leq 5 - 3,8$	
Fully opened gas ballast	Water vapor permitted maximum pressure mbar - torr	69 - 51,7	60 - 45	
	Water vapor capacity $kg \cdot h^{-1}$	3,8	3,8	
100 % synthetic oil	MV99S	MV99S		
Oil capacity l - qt	3 - 3,2	3 - 3,2		
Noise level dB(A)	67	69		

⁽¹⁾ Measurements according to PNEUROP 6602 specifications - 20°C

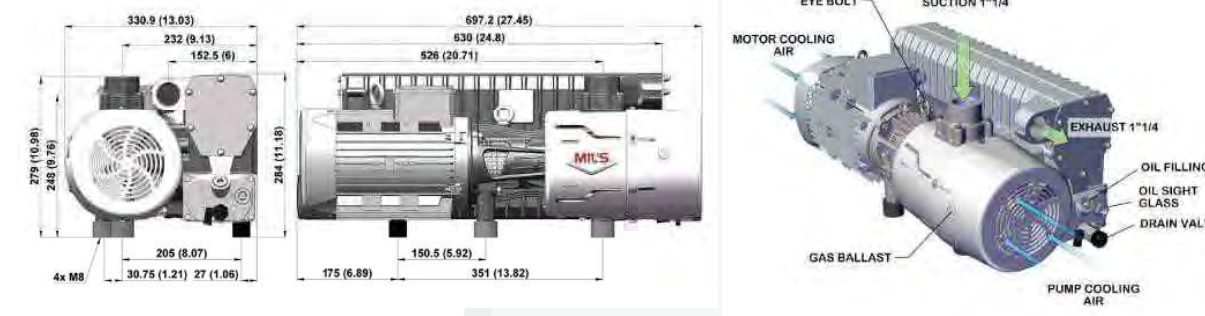
Versions

GEOGRAPHIC ZONE	EUROPE	ASIA MIDDLE-EAST	SOUTH AMERICA	USA	JAPAN
Number of phases	3	3	3	3	3
Voltage V	230 / 400	220 / 380	190 / 380	208-230 / 460	200 / 380
Period Hz	50	60	50	60	50 / 60
Motor power	2,20 kW	2,64 kW	2,20 kW	5 HP	2,20 / 2,64 kW
Rotation speed min^{-1}	1500	1800	1500	1800	1500/1800
Inlet connection ⁽²⁾	1"1/4 BSP	1"1/4 BSP	1"1/4 NPT	1"1/4 NPT	1"1/4 BSP
Outlet connection ⁽³⁾	1" 1/4 BSP	1" 1/4 BSP	1" 1/4 NPT	1" 1/4 NPT	1"1/4 BSP
Weight with oil kg - lb	67,2 - 148,2	67,2 - 148,2	85,5 - 188,5	85,5 - 188,5	67,2 - 148,2

⁽²⁾ DN 40 ISO-KF adaptation flange can be supplied, see accessories

⁽³⁾ DN 40 ISO-KF connector can be supplied, see accessories

Dimensions mm (inch)



References

	E100.R HV		E100.R	
	WITH GAS BALLAST	WITHOUT GAS BALLAST	WITH GAS BALLAST	WITHOUT GAS BALLAST
EUROPE 3ph, 230/400V-50Hz	824251	824252	824249	824250
SOUTH AMERICA/ USA 3ph, 190/380V-50Hz, 208-230/460V-60Hz	824259	824260	824257	824258
ASIA / MIDDLE-EAST 3ph, 220/380V-60Hz	824267	824268	824265	824266

JAPAN version - Contact us
Oxygen version available - Contact us

HV Accessories - KF connection



1 Suction filter DN40KF -Type 100

Suction flange DN40KF	625018
Paper cartridge	625009
1 Suction filter DN40KF - Type 100	625010
Polyester cartridge	625011
Carbon cartridge	625011
Aluminium clamping ring DN40KF	361639
Stainless steel / Viton DN40KF centering ring	361642
Stainless steel DN40KF hose - 0,5 m	361646
Stainless steel DN40KF hose - 1 m	361647
Elbow DN40KF	333818
Equal T-square DN40KF	333819
Manual ball valve DN40KF	333820
Solenoid valve DN40KF	333821
Exhaust adapter 1"1/4 BSP - DN40KF	625109

Maintenance kits

3 000 hour usual maintenance with silicone o'ring for oil mist filter	724601
3 000 hour usual maintenance with viton o'ring for oil mist filter	724602
12 000 hour preventive maintenance	724604



3 000 hour usual maintenance



12 000 hour preventive maintenance

Specifications are subject to be changed without notice.

Oxygen version maintenance available - Contact us

EVISA E100.R

Accessories and Options

1	Oil Level Safety (OLS) with float	625369	
	PT100 temperature sensor	625021	
	NC bimetal temperature safety - opening at 120°C - Max 24V	625022	
2	1"1/4 BSP suction filter Type 126	Paper cartridge	706192
		Polyester cartridge	709398
		Carbon cartridge	710521
	Ø126 vacuum gauge fitted on filter	617536	
	1"1/4 BSP polyester/carbon double filtration 126PO + 126CH	670617	
	Adjusting valve fitted on T-square	713841	
3	Liquid trap 125 120 m ³ .h ⁻¹ 1"1/4 BSP	Aluminium head / plexiglass cylinder / without mechanical float	724797
		Aluminium head / plexiglass cylinder / with mechanical float	724798
		Aluminium head / Pyrex cylinder / without mechanical float	724811
		Aluminium head / Pyrex cylinder / with mechanical float	724812
		Stainless steel head / Pyrex cylinder / without mechanical float	724799
		Stainless steel head / Pyrex cylinder / with mechanical float	724800
		Pyrex bottle 250 ml under trap assembly	615441
		Pyrex bottle 500 ml under trap assembly	615442
		Pyrex bottle 1000 ml under trap assembly	615443
			Electro-pneumatic automatic drain with control board
	Electrical automatic drain with control board	816003	
	Vacuum hose (0,6 m) MF 1"1/4 BSP	670650	
	Vacuum hose (1 m) MF 1"1/4 BSP	607058	
	Vacuum hose (1,5 m) MF 1"1/4 BSP	610457	
	Suction hose (1m) MM 1"1/4 with no return valve	770152	
	Exhaust double elbow mounting	625480	
	Base frame assembly height 150 mm	625209	
4	Elevated base frame (H=525 mm)	For 1 pump	624611
		For 2 pumps	619544
		For 3 pumps	617614
Direct starter (wall mounting)	Without regulation contact 3-ph 400V	770497	
	Without regulation contact 3-ph 230V	770498	
	With regulation contact LG7 3-ph 400V	710424	
	With regulation contact LG7 3-ph 230V	710432	
	Control board with FLEXP solenoid valve 3-ph, 400V + N for warm up and degasing cycle	770814	
	Control board with FLEXP solenoid valve 3-ph, 400V + N for degasing cycle	770821	



1 Oil Level Safety



2 suction filter type 126

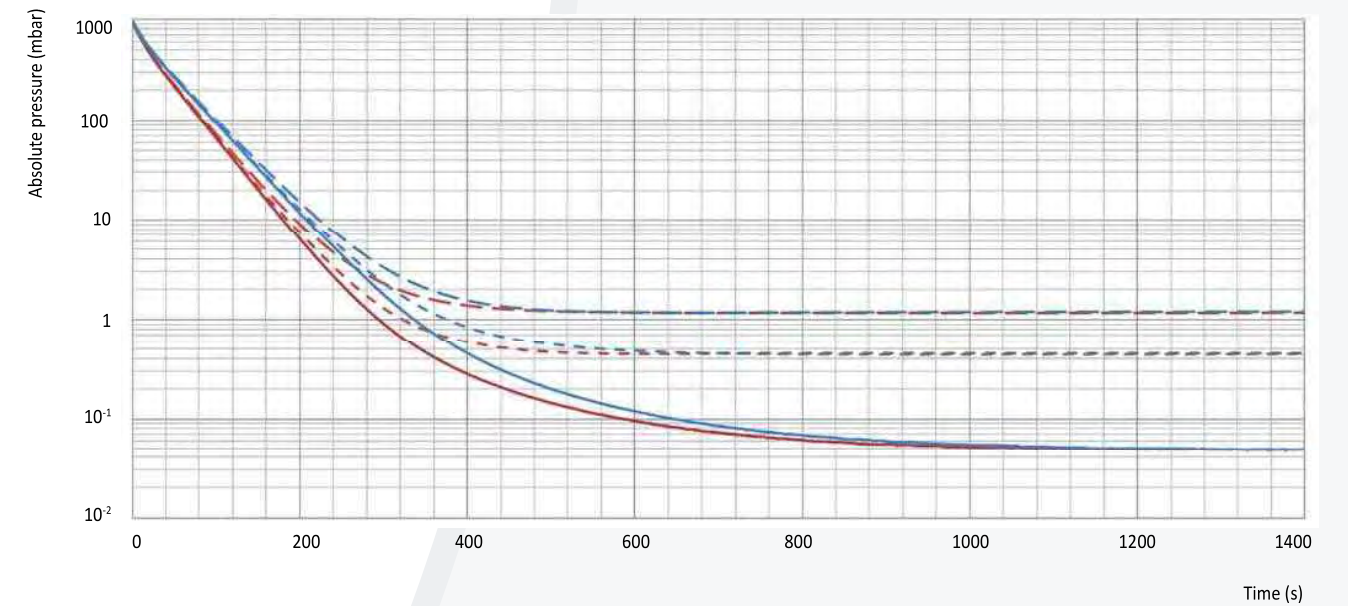


3 Liquid trap 125 with mechanical stop and optional bottle

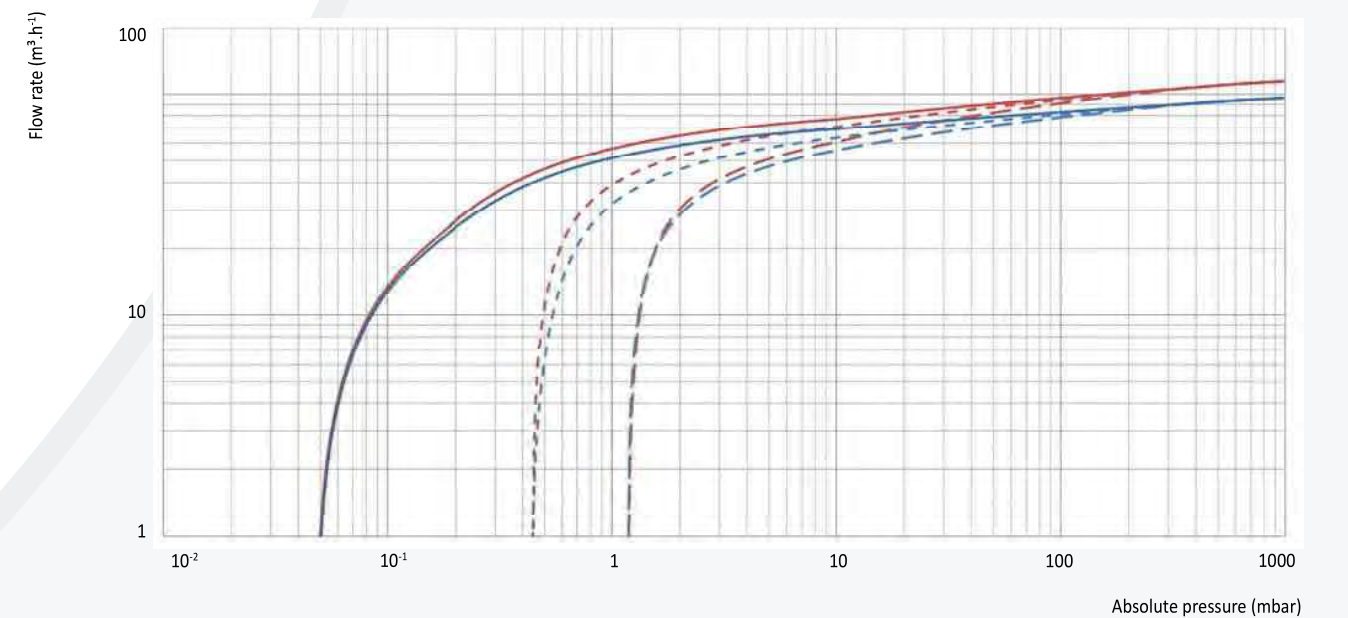


4 Elevated base frame for 2 pumps

Pumping speed on 1000 l vessel



Performance curves



— 60 Hz - Without gas ballast
 - - - 60 Hz - opened gas ballast 1,5 rotation
 — 60 Hz - Fully opened gas ballast
— 50 Hz - Without gas ballast
 - - - 50 Hz - opened gas ballast 1,5 rotation
 — 50 Hz - Fully opened gas ballast

EVISA E200.R



The lubricated rotary vane pumps EVISA are designed to be used in a wide range of industrial and healthcare applications.

They can run continuously from atmospheric pressure to ultimate vacuum.

They are silent and extremely robust.

- Single stage vacuum pump
- Continuous operation from atmospheric pressure to end vacuum : $6 \cdot 10^{-2}$ mbar
- High pumping speed even at low pressure
- Integrated oil mist filter on the exhaust
- IE3 motor

Technical characteristics

		50 Hz	60 Hz
E200.R HV	Nominal flow rate $m^3 \cdot h^{-1} - cfm$	200 - 117,7	240 - 141,3
	PNEUROP pumping speed ⁽¹⁾ $m^3 \cdot h^{-1} - cfm$	190 - 111,8	228 - 134,2
	Pumping speed at 1 mbar inlet pressure ⁽¹⁾ $m^3 \cdot h^{-1} - cfm$	134 - 78,9	161 - 94,8
	Without gas ballast End vacuum mbar - torr	$\leq 6 \cdot 10^{-2} - 4,5 \cdot 10^{-2}$	$\leq 6 \cdot 10^{-2} - 4,5 \cdot 10^{-2}$
	Fully opened gas ballast End vacuum mbar - torr	$\leq 1 - 0,75$	$\leq 1 - 0,75$
	Water vapor permitted maximum pressure mbar - torr	20,2 - 15,1	21,3 - 15,9
E200.R	Water vapor capacity $kg \cdot h^{-1}$	2,2	2,8
	Without gas ballast End vacuum mbar - torr	$\leq 3 - 2,3$	$\leq 3 - 2,3$
	Fully opened gas ballast End vacuum mbar - torr	$\leq 5 - 3,8$	$\leq 5 - 3,8$
	Water vapor permitted maximum pressure mbar - torr	14 - 10,5	15 - 11,2
	Water vapor capacity $kg \cdot h^{-1}$	1,5	2
	100 % synthetic oil	MV99S	MV99S
Oil capacity l - qt	5 - 5,3	5 - 5,3	
Noise level dB(A)	71	77	

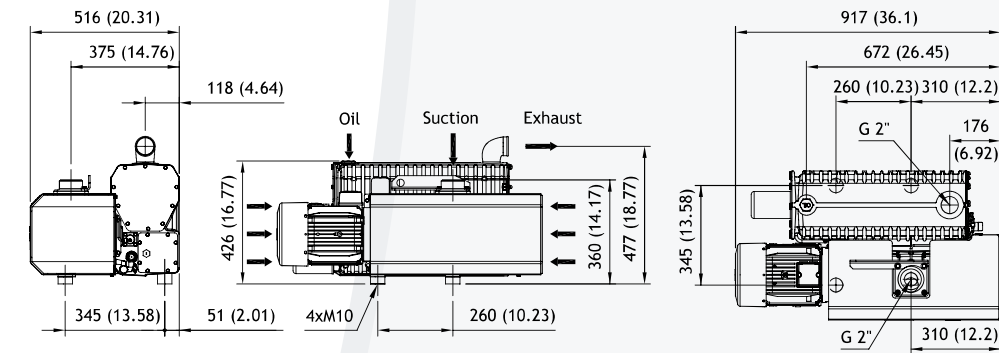
⁽¹⁾ Measurements according to PNEUROP 6602 specifications - 20°C

Versions

GEOGRAPHIC ZONE	EUROPE	ASIA MIDDLE-EAST	SOUTH AMERICA	USA	JAPAN
Number of phases	3	3	3	3	3
Voltage V	230 / 400	220 / 380	190 / 380	208-230 / 460	220 / 380
Period Hz	50	60	50	60	50 / 60
Motor power	4 kW	4,8 kW	4 kW	7,5 HP	4 / 4,8 kW
Rotation speed min^{-1}	1500	1800	1500	1800	1500 / 1800
Inlet connection ⁽²⁾	2" BSP	2" BSP	2" NPT	2" NPT	2" BSP
Outlet connection ⁽²⁾	2" BSP	2" BSP	2" NPT	2" NPT	2" BSP
Weight with oil kg - lb	143 - 316	158 - 349	174 - 384	174 - 384	160 - 353

⁽²⁾ DN 50 ISO-KF connector can be supplied, see accessories

Dimensions mm (inch)



References

	E200.R HV		E200.R	
	WITH GAS BALLAST	WITHOUT GAS BALLAST	WITH GAS BALLAST	WITHOUT GAS BALLAST
EUROPE 3ph, 230/400V-50Hz	823766 + 624229	823766	823830 + 624229	823830
SOUTH AMERICA / USA 3ph, 190/380V-50Hz, 208-230/460V-60Hz	824060 + 624229	824060	Contact us	Contact us
ASIA / MIDDLE - EAST 3ph, 220/380V-50/60Hz	823835 + 624229	823835	823833 + 624229	823833

JAPAN Version : contact us

Special versions

	E200.R HV		E200.R	
	WITH GAS BALLAST	WITHOUT GAS BALLAST	WITH GAS BALLAST	WITHOUT GAS BALLAST
CONDENSABLE VAPOUR PUMPING (small propeller) 3ph, 230/400V-50Hz	823864 + 624229	823864	823837 + 624229	823837
OXYGEN with Fomblin oil 3ph, 230/400V-50Hz	823873 + 624229	823873	823872 + 624229	823872
EVISA H₂O 3ph, 230/400V-50Hz	Contact us	Contact us	823845 + 624229	823845

For booster direct mounting : contact us

Maintenance kits

3 000 hour usual maintenance with silicone o'ring for oil mist filter	724054
3 000 hour usual maintenance with viton o'ring for oil mist filter	724055
12 000 hour preventive maintenance	724052
Gasket set	624230
3 000 hour usual maintenance for OXYGEN version	724089
12 000 hour preventive maintenance for OXYGEN version	724087



3 000 hour usual maintenance



12 000 hour preventive maintenance

Specifications are subject to be changed without notice.

EVISA E200.R

Accessories and Options

1 Oil Level Safety (OLS) with float		624245
Timer box for oil level safety (base mounting)		670810
NC bimetal temperature safety - opening at 120°C + SNH - Max 24V		624246
Oil Level Safety and PT100 temperature sensor		624247
PT100 temperature sensor		624248
2 2" BSP suction filter Type 201	Paper cartridge	715350
	Polyester cartridge	715351
	Carbon cartridge	715352
Vacuum gauge fitted on filter		617536
2" BSP paper/paper double filtration 201PA + 201PA		670615
2" BSP polyester/carbon double filtration 201PO + 201CH		670618
3 Liquid trap 200 340 m ³ .h ⁻¹ 2" BSP	Aluminium head / polycarbonate cylinder / without float	724801
	Aluminium head / polycarbonate cylinder / with float	724802
	Stainless steel head/ Pyrex cylinder / without float	724803
	Stainless steel head / Pyrex cylinder / with float	724804
	Pyrex bottle 250 ml under trap assembly	615441
	Pyrex bottle 500 ml under trap assembly	615442
	Pyrex bottle 1000 ml under trap assembly	615443
Bracket for wall fixing	619907	
Electro-pneumatic automatic drain with control board		816002
Electrical automatic drain with control board		816003
Adjusting valve fitted on T-square		713842
Vacuum hose (0,6 m) FF 2" BSP		618149
Vacuum hose (1 m) FF 2" BSP		606099
Vacuum hose (1,5 m) FF 2" BSP		607592
Suction hose with non-return valve (1 m)		770154
Exhaust double elbow mounting		622788
Base frame assembly height 150 mm		670806
4 Elevated base frame (H=525 mm)	For 1 pump	617612
	For 2 pumps	619545
Direct starter (wall mounting)	Without regulation contact 3-ph 400V	770499
	Without regulation contact 3-ph 230V	770500
	With regulation contact LG7 3-ph 400V	710426
	With regulation contact LG7 3-ph 230V	710434
Control board with FLEXO solenoid valve 3-ph, 400V + N for warm up and degasing cycle		770815
Control board with FLEXO solenoid valve 3-ph, 400V + N for degasing cycle		770822
Aluminium adapter M2" / DN50 KF		117132
Aluminium clamping collar DN50 KF		361640
Centering ring stainless steel / VITON		361643
Stainless steel hose (0,5 m) DN50 KF		361648
Stainless steel hose (1 m) DN50 KF		361649



1 Oil Level Safety



2 suction filter type 201

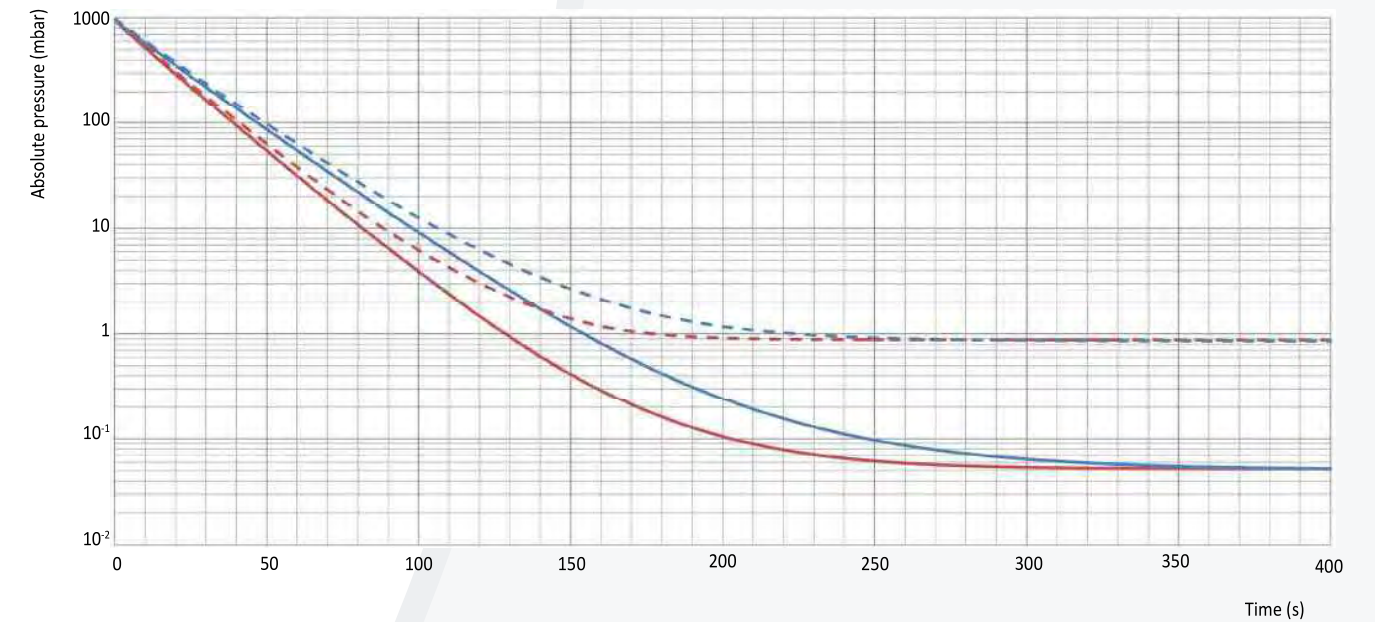


3 Liquid trap 200 with mechanical stop and optional bottle

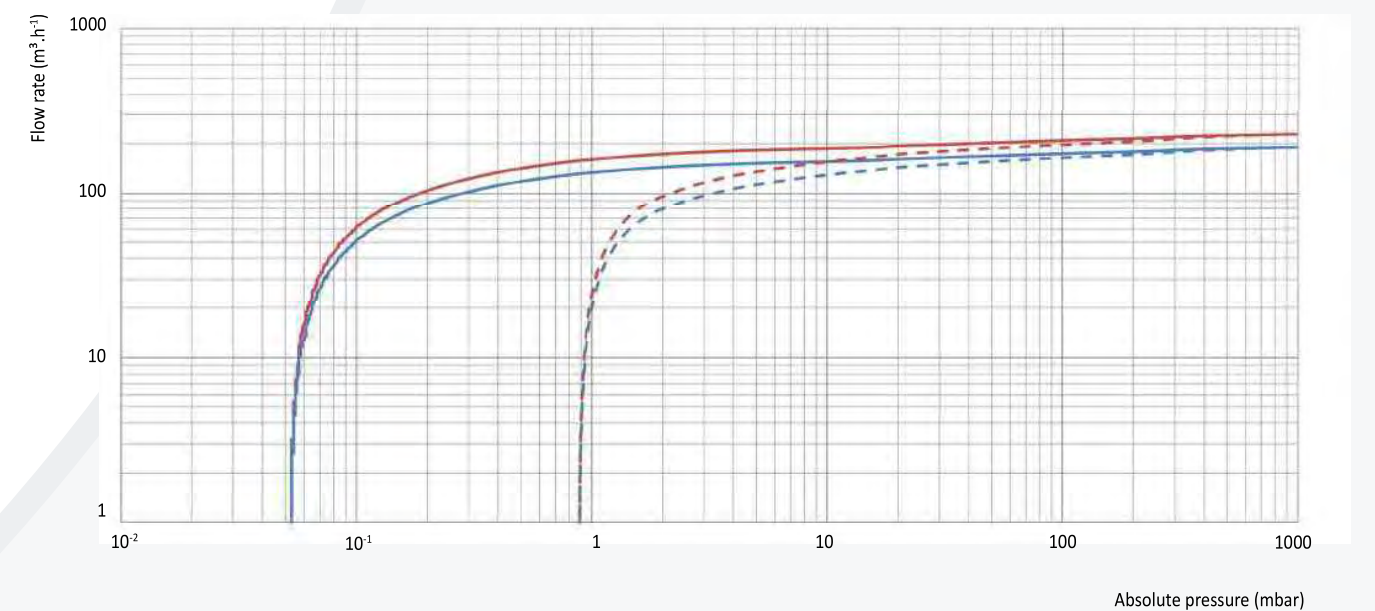


4 Elevated base frame for 2 pumps

Pumping speed on 1000 l vessel



Performance curves



— 60 Hz - without gas ballast - - - 60 Hz - with opened gas ballast
— 50 Hz - without gas ballast - - - 50 Hz - with opened gas ballast

EVISA E300.R



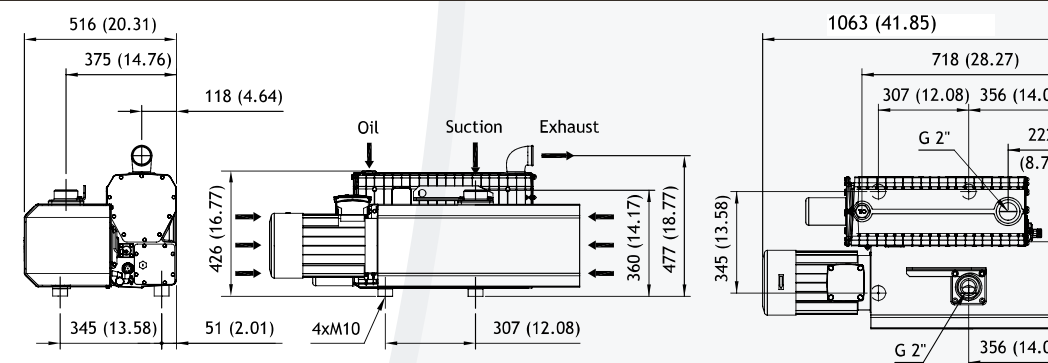
The lubricated rotary vane pumps EVISA are designed to be used in a wide range of industrial and healthcare applications.

They can run continuously from atmospheric pressure to ultimate vacuum.

They are silent and extremely robust.

- Single stage vacuum pump
- Continuous operation from atmospheric pressure to end vacuum : $6 \cdot 10^{-2}$ mbar
- High pumping speed even at low pressure
- Integrated oil mist filter on the exhaust
- IE3 motor

Dimensions mm (inch)



References

	E300.R HV		E300.R	
	WITH GAS BALLAST	WITHOUT GAS BALLAST	WITH GAS BALLAST	WITHOUT GAS BALLAST
EUROPE 3ph, 230/400V-50Hz	823767 + 624229	823767	823831 + 624229	823831
SOUTH AMERICA / USA 3ph, 190/380V-50Hz, 208-230/460V-60Hz	824061 + 624229	824061	Contact us	Contact us
ASIA / MIDDLE-EAST 3ph, 220/380V-60Hz	823836 + 624229	823836	823834 + 624229	823834
JAPAN version : contact us				

Special versions

	E300.R HV		E300.R	
	WITH GAS BALLAST	WITHOUT GAS BALLAST	WITH GAS BALLAST	WITHOUT GAS BALLAST
CONDENSABLE VAPOUR PUMPING (small propeller) 3ph, 230/400V-50Hz	824287 + 624229	824287	823838 + 624229	823838
OXYGEN with Fomblin oil 3ph, 230/400V-50Hz	823875 + 624229	823875	823874 + 624229	823874
EVISA H₂O 3ph, 230/400V-50Hz	Contact us	Contact us	823846 + 624229	823846

For booster direct mounting : contact us

Maintenance kits

3 000 hour usual maintenance with silicone o'ring for oil mist filter	724079
3 000 hour usual maintenance with viton o'ring for oil mist filter	724080
12 000 hour preventive maintenance	724053
Gasket set	624231
3 000 hour usual maintenance for OXYGEN version	724090
12 000 hour preventive maintenance for OXYGEN version	724088



3 000 hour usual maintenance



12 000 hour preventive maintenance

Specifications are subject to be changed without notice.

Technical characteristics

		50 Hz	60 Hz
E300.R HV	Nominal flow rate $m^3 \cdot h^{-1} - cfm$	300 - 176,5	360 - 211,8
	PNEUROP pumping speed ⁽¹⁾ $m^3 \cdot h^{-1} - cfm$	280 - 165	336 - 198
	Pumping speed at 1 mbar inlet pressure ⁽¹⁾ $m^3 \cdot h^{-1} - cfm$	171 - 101	205 - 121
	Without gas ballast End vacuum mbar - torr	$\leq 6 \cdot 10^{-2} - 4,5 \cdot 10^{-2}$	$\leq 6 \cdot 10^{-2} - 4,5 \cdot 10^{-2}$
	Fully opened gas ballast End vacuum mbar - torr	$\leq 2 - 1,5$	$\leq 2 - 1,5$
	Fully opened gas ballast Water vapor permitted maximum pressure mbar - torr	18,6 - 13,9	20 - 15
E300.R	Fully opened gas ballast Water vapor capacity $kg \cdot h^{-1}$	2,3	3
	Without gas ballast End vacuum mbar - torr	$\leq 3 - 2,3$	$\leq 3 - 2,3$
	Fully opened gas ballast End vacuum mbar - torr	$\leq 5 - 3,8$	$\leq 5 - 3,8$
	Fully opened gas ballast Water vapor permitted maximum pressure mbar - torr	13 - 9,7	14 - 10,5
	Fully opened gas ballast Water vapor capacity $kg \cdot h^{-1}$	1,6	2
	100 % synthetic oil	MV99S	MV99S
Oil capacity l - qt	5 - 5,3	5 - 5,3	
Noise level dB(A)	72	76	

⁽¹⁾ Measurements according to PNEUROP 6602 specifications - 20°C

Versions

GEOGRAPHIC ZONE	EUROPE	ASIA MIDDLE-EAST	SOUTH AMERICA	USA	JAPAN
Electrical motor					
Number of phases	3	3	3	3	3
Voltage V	230 / 400	220 / 380	190 / 380	208-230 / 460	220 / 380
Period Hz	50	60	50	60	50 / 60
Motor power	5,5 kW	6,6 kW	5,5 kW	10 HP	5,5 / 6,6 kW
Rotation speed min^{-1}	1500	1800	1500	1800	1500 / 1800
Inlet connection ⁽²⁾	2" BSP	2" BSP	2" NPT	2" NPT	2" BSP
Outlet connection ⁽²⁾	2" BSP	2" BSP	2" NPT	2" NPT	2" BSP
Weight with oil kg - lb	172 - 380	182 - 402	198 - 437	198 - 437	179 - 395

⁽²⁾ DN 50 ISO-KF connector can be supplied, see accessories

EVISA E300.R

Accessories and Options

1 Oil Level Safety (OLS) with float		624245
Timer box for oil level safety (base mounting)		670810
NC bimetal temperature safety - opening at 120°C + SNH - Max 24V		624246
Oil Level Safety and PT100 temperature sensor		624247
PT100 temperature sensor		624248
2 2" BSP suction filter Type 201	Paper cartridge	715350
	Polyester cartridge	715351
	Carbon cartridge	715352
Vacuum gauge fitted on filter		617536
2" BSP paper/paper double filtration 201PA + 201PA		670615
2" BSP polyester/carbon double filtration 201PO + 201CH		670618
3 Liquid trap 200 340 m ³ .h ⁻¹ 2" BSP	Aluminium head / polycarbonate cylinder / without float	724801
	Aluminium head / polycarbonate cylinder / with float	724802
	Stainless steel head/ Pyrex cylinder / without float	724803
	Stainless steel head / Pyrex cylinder / with float	724804
	Pyrex bottle 250 ml under trap assembly	615441
	Pyrex bottle 500 ml under trap assembly	615442
	Pyrex bottle 1000 ml under trap assembly	615443
Bracket for wall fixing	619907	
Electro-pneumatic automatic drain with control board		816002
Electrical automatic drain with control board		816003
Adjusting valve fitted on T-square		713842
Vacuum hose (0,6 m) FF 2" BSP		618149
Vacuum hose (1 m) FF 2" BSP		606099
Vacuum hose (1,5 m) FF 2" BSP		607592
Suction hose with non-return valve (1 m)		770154
Exhaust double elbow mounting		622788
Base frame assembly height 150 mm		670806
4 Elevated base frame (H=525 mm)	For 1 pump	617612
	For 2 pumps	619545
Direct starter (wall mounting)	Without regulation contact 3-ph 400V	770499
	Without regulation contact 3-ph 230V	770500
	With regulation contact LG7 3-ph 400V	710426
	With regulation contact LG7 3-ph 230V	710434
Control board with FLEXO solenoid valve 3-ph, 400 + N for warm up and degasing cycle		770815
Control board with FLEXO solenoid valve 3-ph, 400 + N for degasing cycle		770822
Aluminium adapter M2" / DN50 KF		117132
Aluminium clamping collar DN50 KF		361640
Centering ring stainless steel / VITON		361643
Stainless steel hose (0,5 m) DN50 KF		361648
Stainless steel hose (1 m) DN50 KF		361649



1 Oil Level Safety



2 suction filter type 201

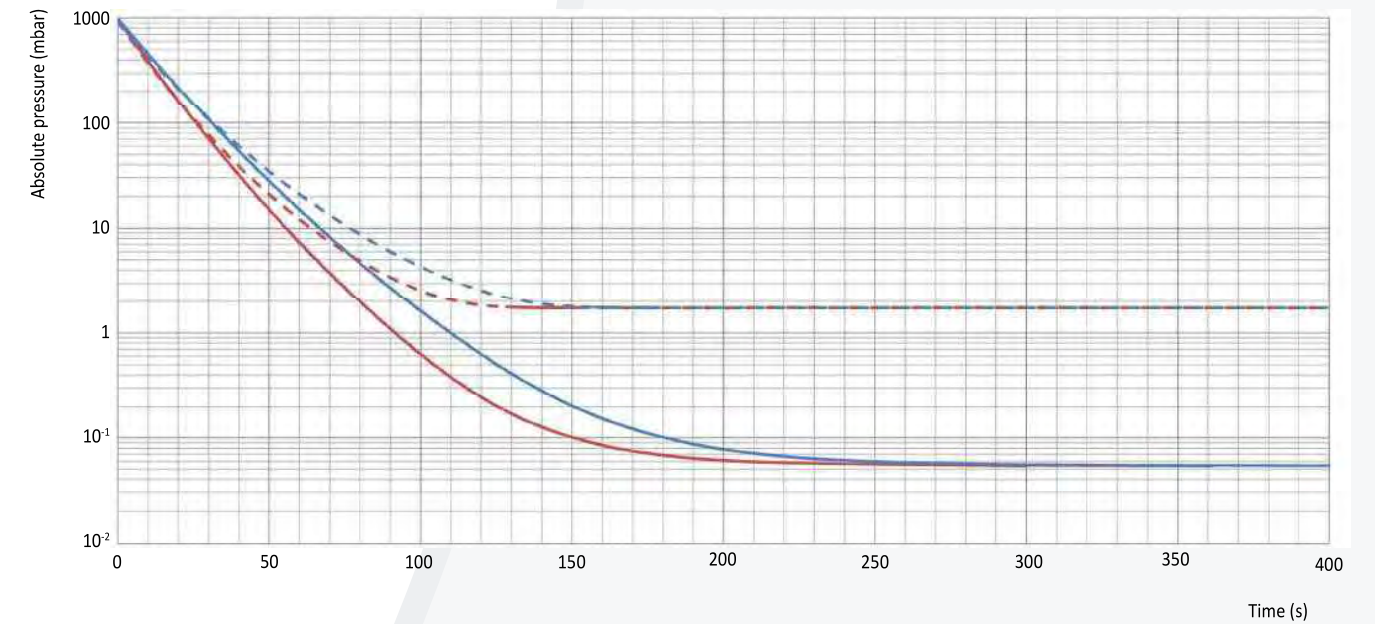


3 Liquid trap 200 with mechanical stop and optional bottle

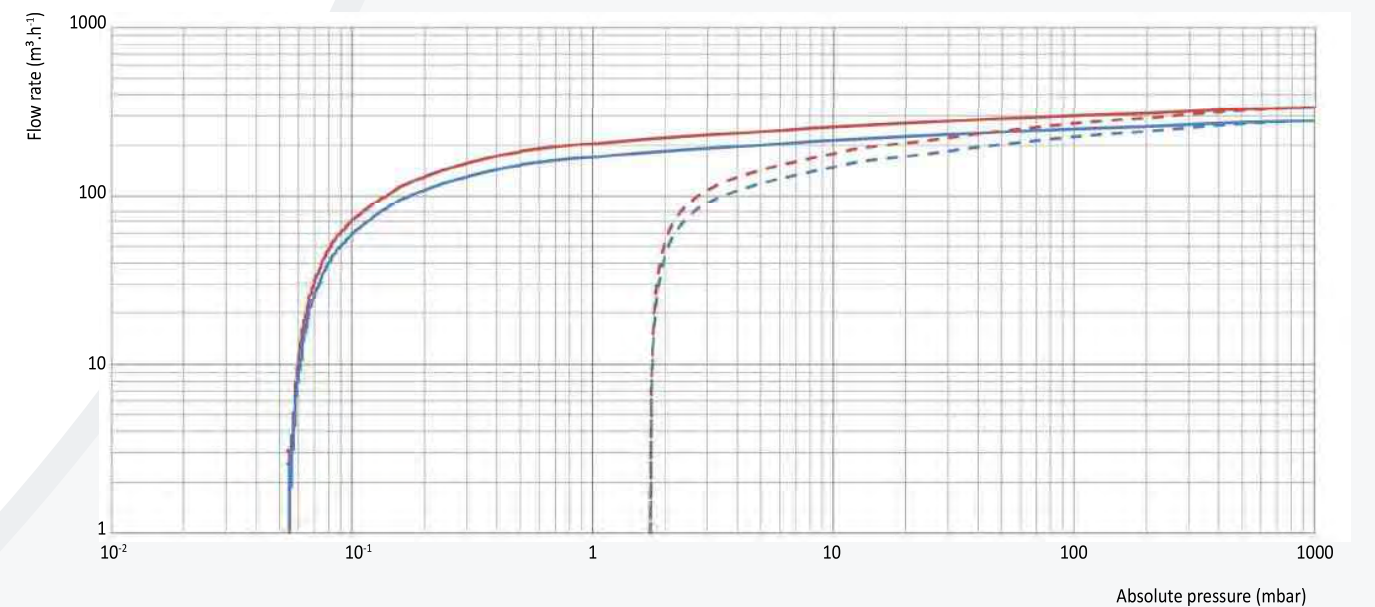


4 Elevated base frame for 2 pumps

Pumping speed on 1000 l vessel



Performance curves



— 60 Hz - without gas ballast - - - 60 Hz - with opened gas ballast
— 50 Hz - without gas ballast - - - 50 Hz - with opened gas ballast

EVISA E350.R



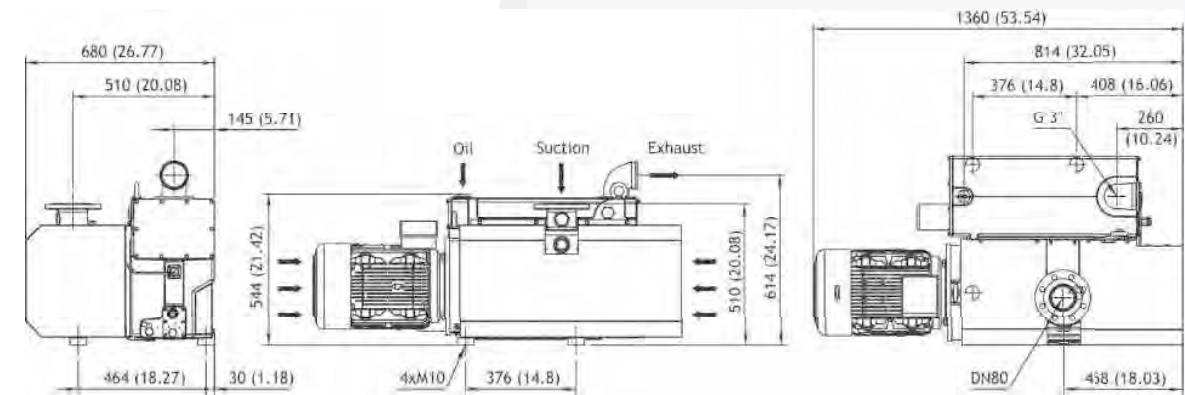
The lubricated rotary vane pumps EVISA are designed to be used in a wide range of industrial and healthcare applications.

They can run continuously from atmospheric pressure to ultimate vacuum.

They are silent and extremely robust.

- Single stage vacuum pump
- Continuous operation from atmospheric pressure to end vacuum : 1.10^{-1} mbar
- High pumping speed even at low pressure
- Integrated oil mist filter on the exhaust
- IE3 motor

Dimensions mm (inch)



References

	E350.R HV		E350.R	
	WITH GAS BALLAST	WITHOUT GAS BALLAST	WITH GAS BALLAST	WITHOUT GAS BALLAST
EUROPE 3ph, 400/690V-50Hz	823923 + 724214	823923	823922 + 724214	823922
ASIA / MIDDLE-EAST 3ph, 380V-60Hz	contact us	contact us	contact us	contact us

EVISA H₂O version : contact us

Maintenance kits

3 000 hour usual maintenance with viton o'rings for oil mist filters	724184
12 000 hour preventive maintenance	724200
Gasket set	624486



3 000 hour usual maintenance



12 000 hour preventive maintenance

Technical characteristics

		50 Hz	60 Hz
Nominal flow rate $m^3.h^{-1} - cfm$		360 - 211,9	432 - 254,3
PNEUROP pumping speed ⁽¹⁾ $m^3.h^{-1} - cfm$		341 - 200,7	409 - 240,7
Pumping speed at 1 mbar inlet pressure ⁽¹⁾ $m^3.h^{-1} - cfm$		179 - 105,3	215 - 126,5
E350.R HV	Without gas ballast End vacuum mbar - torr	$\leq 1.10^{-1} - 8.10^{-2}$	$\leq 1.10^{-1} - 8.10^{-2}$
	Fully opened gas ballast		
	End vacuum mbar - torr	$\leq 1 - 0,75$	$\leq 1 - 0,75$
	Water vapor permitted maximum pressure mbar - torr	12,5 - 9,9	13,5 - 10,1
	Water vapor capacity $kg.h^{-1}$	2	2,6
E350.R	Without gas ballast End vacuum mbar - torr	$\leq 3 - 2,3$	$\leq 3 - 2,3$
	Fully opened gas ballast		
	End vacuum mbar - torr	$\leq 5 - 3,8$	$\leq 5 - 3,8$
	Water vapor permitted maximum pressure mbar - torr	8,7 - 6,5	9,4 - 7
	Water vapor capacity $kg.h^{-1}$	1,4	1,8
100 % synthetic oil		MV99S	MV99S
Oil capacity l - qt		14 - 14,8	14 - 14,8
Noise level dB(A)		72	76

⁽¹⁾ Measurements according to PNEUROP 6602 specifications - 20°C

⁽²⁾ 460V - 60 Hz 3-ph only

Versions

GEOGRAPHIC ZONE	EUROPE	ASIA MIDDLE-EAST
Number of phases	3	3
Voltage V	400 / 690	380
Period Hz	50	60
Motor power	7,5 kW	9 kW
Rotation speed min^{-1}	1000	1200
Inlet connection ⁽²⁾	DN80 / 3" BSP	DN80 / 3" BSP
Outlet connection ⁽²⁾	3" BSP	3" BSP
Weight with oil kg - lb	363 - 801	788 - 834

⁽²⁾ DN 80 ISO-K connector can be supplied, see accessories

EVISA E350.R

Accessories and Options

1 Oil Level Safety (OLS) with float		624398
Additional filter for gas ballast		617710
Timer box for oil level safety (base mounting)		670810
NC bimetal temperature safety - opening at 120°C - Max 24V		624389
Oil Level Safety and PT100 temperature sensor		624405
PT100 temperature sensor		624388
2 3" BSP suction filter Type 301	Paper cartridge	717369
	Polyester cartridge	717370
	Carbon cartridge	717371
Vacuum gauge fitted on filter		617536
Vacuum-tight suction filter ST301 straight-through	Paper cartridge	361627
	Polyester cartridge	620166
Deflector for filters CT 301 and ST 301		215696
Bracket for mural fixing for filters CT, ST & Liquid trap		617512
Flanges DN 80 for filters CT, ST & Liquid trap		617513
3 Liquid trap 300 696 m ³ .h ⁻¹ 3" BSP	Aluminium head/ polycarbonate cylinder / without float	724809
	Aluminium head / polycarbonate cylinder / with float	724810
	Pyrex bottle 250 ml under trap assembly	615441
	Pyrex bottle 500 ml under trap assembly	615442
	Pyrex bottle 1000 ml under trap assembly	615443
Electro-pneumatic automatic drain with control board		816002
Electrical automatic drain with control board		816003
Vacuum hose (0,6 m) DN80		618269
Vacuum hose (1 m) DN80		617833
Vacuum hose (1,5 m) MM 3" BSP		719925
Vacuum hose (4 m) M 3" BSP - DN80		618573
Base frame assembly height 200 mm		618251
4 Elevated base frame (H=525 mm)	For 1 pump	617613
Direct starter (wall mounting)	Without regulation contact 3-ph 400V	770500
	With regulation contact LG7 3-ph 400V	713746
Star / Delta starter 400V + N + E (without pressure valve)		718389
- Electrical unloading valve (230V-50Hz)		617496
- Pneumatic unloading valve (6 bar)		618257
Exhaust double elbow mounting		623534
Double acting electric butterfly cast iron valve DN80 with electric actuator 5/2 NF 230V-50Hz		617522
Double acting pneumatic butterfly cast iron valve DN80 with electric actuator 5/2 NF 230V-50Hz		617523
Aluminium adapter M3" / DN80 ISO K		117130
Aluminium adapter DN80 ISO K		117129
Aluminium clamping collar DN63/250 ISO K	4 X	361653
Centering ring Aluminium / PERBUNAN		361650
Stainless steel hose (0,5 m) DN80 ISO K		361651
Stainless steel hose (1 m) DN80 ISO K		361652



1 Oil Level Safety



2 suction filter type 301

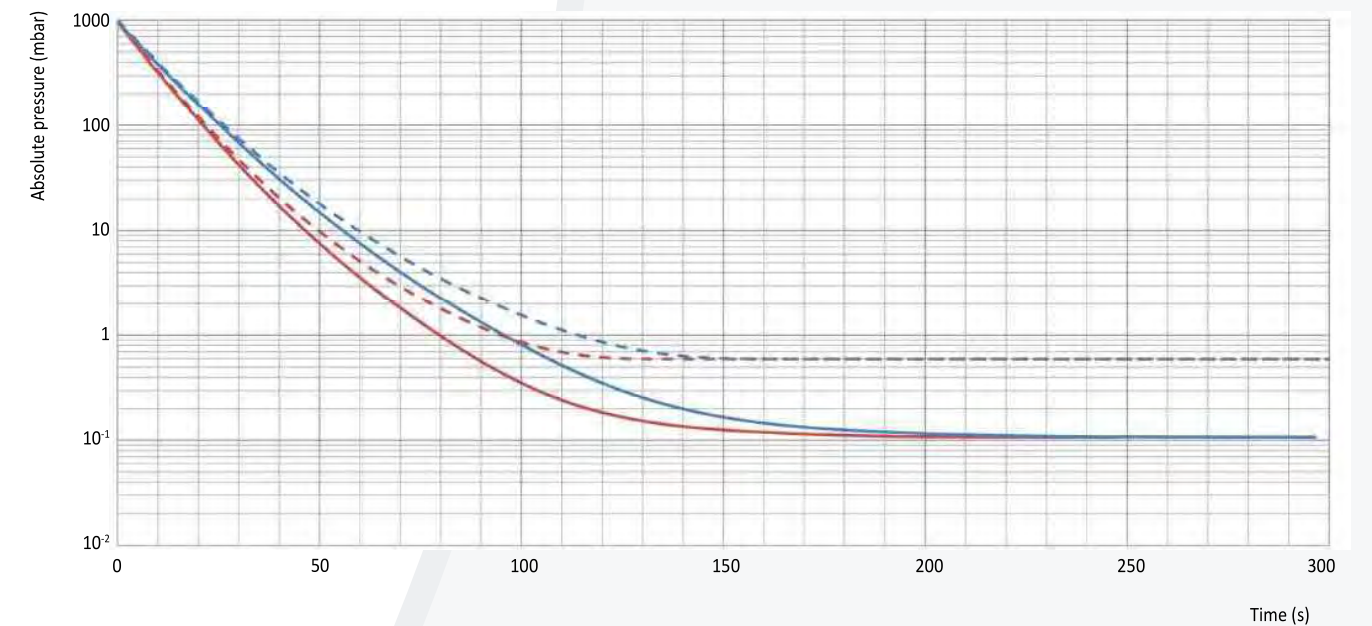


3 Liquid trap 300 with mechanical stop and optional bottle

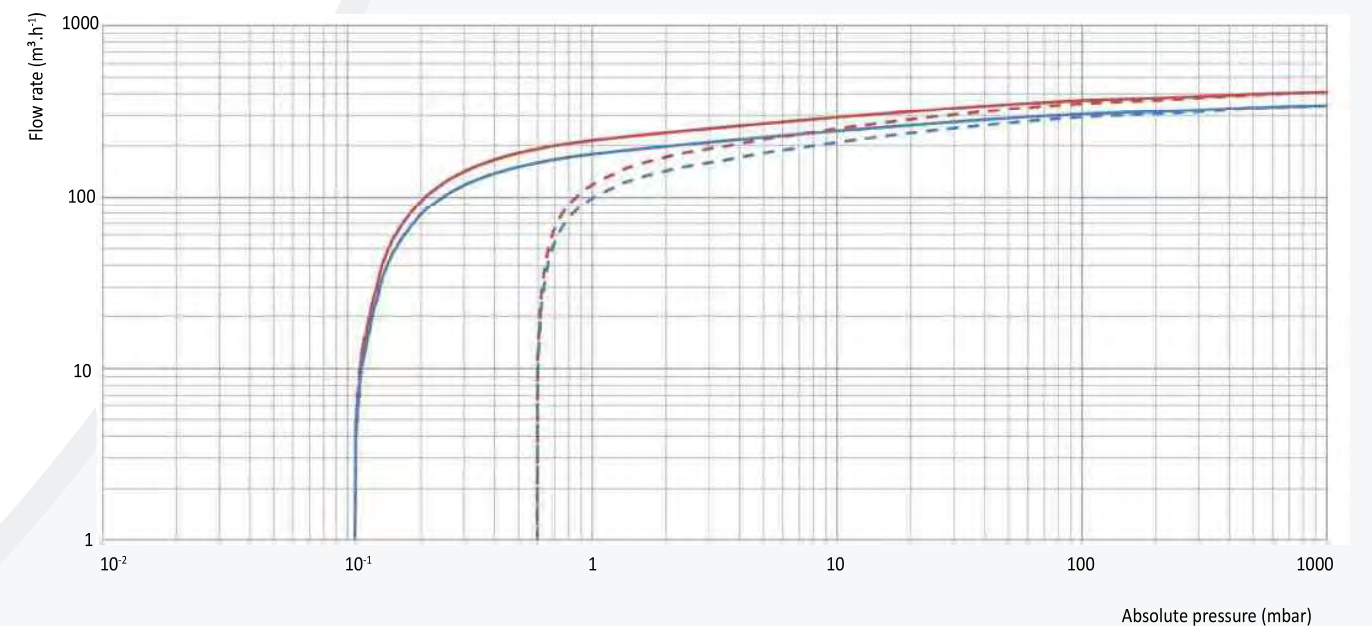


4 Elevated base frame for 1 pump

Pumping speed on 1000 l vessel



Performance curves



— 60 Hz - without gas ballast - - - 60 Hz - with opened gas ballast
— 50 Hz - without gas ballast - - - 50 Hz - with opened gas ballast

EVISA E400.R



The lubricated rotary vane pumps EVISA are designed to be used in a wide range of industrial and healthcare applications.

They can run continuously from atmospheric pressure to ultimate vacuum.

They are silent and extremely robust.

- Single stage vacuum pump
- Continuous operation from atmospheric pressure to end vacuum : $1 \cdot 10^{-1}$ mbar
- High pumping speed even at low pressure
- Integrated oil mist filter on the exhaust
- IE3 motor

Technical characteristics

		50 Hz	60 Hz
E400.R HV	Nominal flow rate $m^3 \cdot h^{-1} - cfm$	426 - 250,7	511 - 300,8
	PNEUROP pumping speed ⁽¹⁾ $m^3 \cdot h^{-1} - cfm$	410 - 241,3	492 - 289,6
	Pumping speed at 1 mbar inlet pressure ⁽¹⁾ $m^3 \cdot h^{-1} - cfm$	215 - 126,5	258 - 151,8
	Without gas ballast End vacuum mbar - torr	$\leq 1 \cdot 10^{-1} - 8 \cdot 10^{-2}$	$\leq 1 \cdot 10^{-1} - 8 \cdot 10^{-2}$
	Fully opened gas ballast	End vacuum mbar - torr $\leq 1 - 0,75$ Water vapor permitted maximum pressure mbar - torr 11,9 - 8,9 Water vapor capacity $kg \cdot h^{-1}$ 2,3	End vacuum mbar - torr $\leq 1 - 0,75$ Water vapor permitted maximum pressure mbar - torr 12,9 - 9,6 Water vapor capacity $kg \cdot h^{-1}$ 3
E400.R	Without gas ballast End vacuum mbar - torr	$\leq 3 - 2,3$	$\leq 3 - 2,3$
	Fully opened gas ballast	End vacuum mbar - torr $\leq 5 - 3,8$ Water vapor permitted maximum pressure mbar - torr 8,3 - 6,2 Water vapor capacity $kg \cdot h^{-1}$ 1,6	End vacuum mbar - torr $\leq 5 - 3,8$ Water vapor permitted maximum pressure mbar - torr 9 - 6,7 Water vapor capacity $kg \cdot h^{-1}$ 2
	100 % synthetic oil	MV99S	MV99S
Oil capacity l - qt		14 - 14,8	14 - 14,8
Noise level dB(A)		72	76

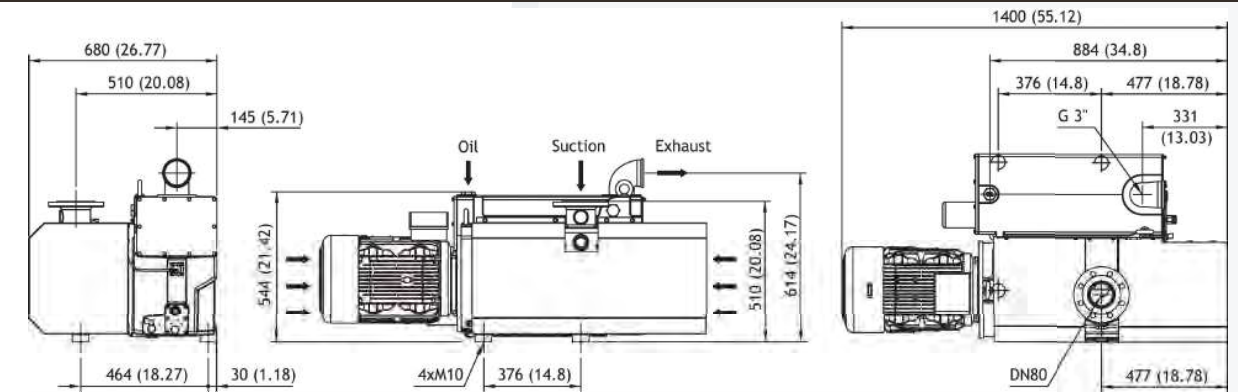
⁽¹⁾ Measurements according to PNEUROP 6602 specifications - 20°C

Versions

GEOGRAPHIC ZONE	EUROPE	ASIA MIDDLE-EAST
Number of phases	3	3
Voltage V	400 / 690	380
Period Hz	50	60
Motor power	9 kW	10,8 kW
Rotation speed min^{-1}	1000	1200
Inlet connection ⁽²⁾	DN80 / 3" BSP	DN80 / 3" BSP
Outlet connection ⁽²⁾	3" BSP	3" BSP
Weight with oil kg - lb	408 - 900	433 - 955

⁽²⁾ DN 80 ISO-K connector can be supplied, see accessories

Dimensions mm (inch)



References

	E400.R HV		E400.R	
	WITH GAS BALLAST	WITHOUT GAS BALLAST	WITH GAS BALLAST	WITHOUT GAS BALLAST
EUROPE 3ph, 400/690V-50Hz	823919 + 724214	823919	823918 + 724214	823918
ASIA / MIDDLE-EAST 3ph, 380V-60Hz	Contact us	Contact us	Contact us	Contact us

EVISA H₂O version : contact us

Maintenance kits

3 000 hour usual maintenance with viton o'rings for oil mist filters	724184
12 000 hour preventive maintenance	724195
Gasket set	624479



3 000 hour usual maintenance



12 000 hour preventive maintenance

EVISA E400.R

Accessories and Options

1 Oil Level Safety (OLS) with float		624398
Additional filter for gas ballast		617710
Timer box for oil level safety (base mounting)		670810
NC bimetal temperature safety - opening at 120°C - Max 24V		624389
Oil Level Safety and PT100 temperature sensor		624405
PT100 temperature sensor		624388
2 3" BSP suction filter Type 301	Paper cartridge	717369
	Polyester cartridge	717370
	Carbon cartridge	717371
Vacuum gauge fitted on filter		617536
Vacuum-tight suction filter ST301 straight-through	Paper cartridge	361627
	Polyester cartridge	620166
Deflector for filters CT 301 and ST 301		215696
Bracket for mural fixing for filters CT, ST & Liquid trap		617512
Flanges DN 80 for filters CT, ST & Liquid trap		617513
3 Liquid trap 300 696 m ³ .h ⁻¹ 3" BSP	Aluminium head/ polycarbonate cylinder / without float	724809
	Aluminium head / polycarbonate cylinder / with float	724810
	Pyrex bottle 250 ml under trap assembly	615441
	Pyrex bottle 500 ml under trap assembly	615442
	Pyrex bottle 1000 ml under trap assembly	615443
Electro-pneumatic automatic drain with control board		816002
Electrical automatic drain with control board		816003
Vacuum hose (0,6 m) DN80		618269
Vacuum hose (1 m) DN80		617833
Vacuum hose (1,5 m) MM 3" BSP		719925
Vacuum hose (4 m) M 3" BSP - DN80		618573
Base frame assembly height 200 mm		618251
4 Elevated base frame (H=525 mm)	For 1 pump	617613
Direct starter (wall mounting)	Without regulation contact 3-ph 400V	770500
	With regulation contact LG7 3-ph 400V	713746
Star / Delta starter 400V + N + E (without pressure valve)		718389
- Electrical unloading valve (230V-50Hz)		617496
- Pneumatic unloading valve (6 bar)		618257
Exhaust double elbow mounting		623534
Double acting electric butterfly cast iron valve DN80 with electric actuator 5/2 NF 230V-50Hz		617522
Double acting pneumatic butterfly cast iron valve DN80 with electric actuator 5/2 NF 230V-50Hz		617523
Aluminium adapter M3" / DN80 ISO K		117130
Aluminium adapter DN80 ISO K		117129
Aluminium clamping collar DN63/250 ISO K		4 X 361653
Centering ring Aluminium / PERBUNAN		361650
Stainless steel hose (0,5 m) DN80 ISO K		361651
Stainless steel hose (1 m) DN80 ISO K		361652



1 Oil Level Safety



2 suction filter type 301

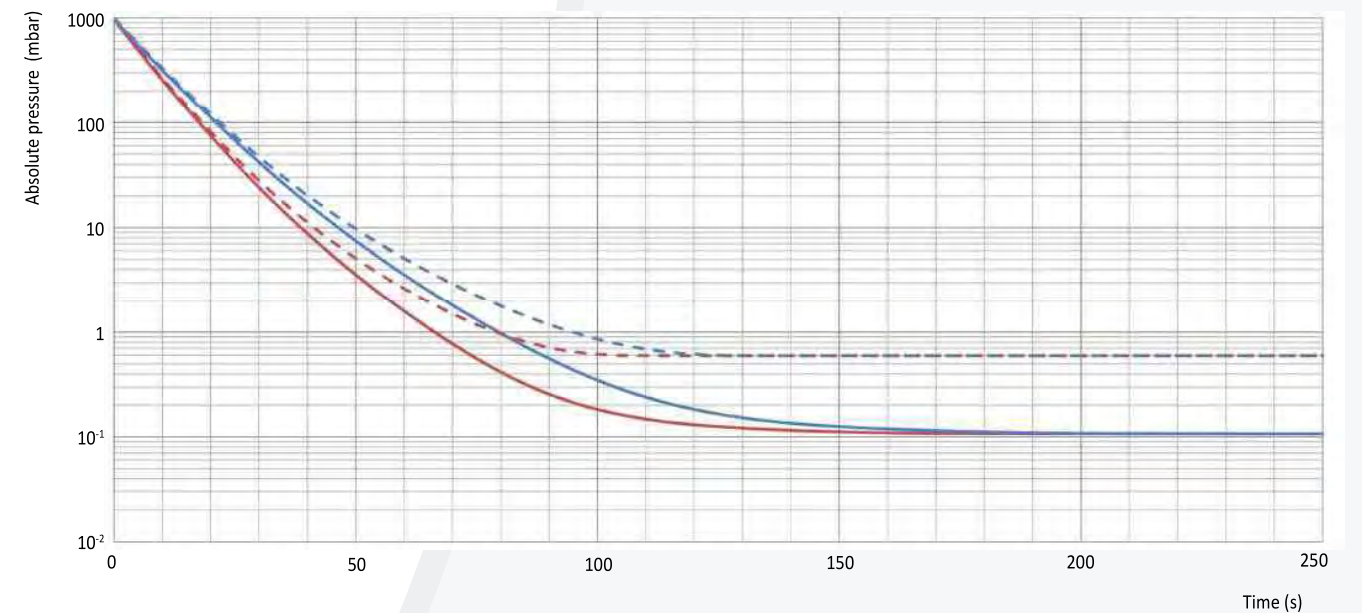


3 Liquid trap 300 with mechanical stop and optional bottle

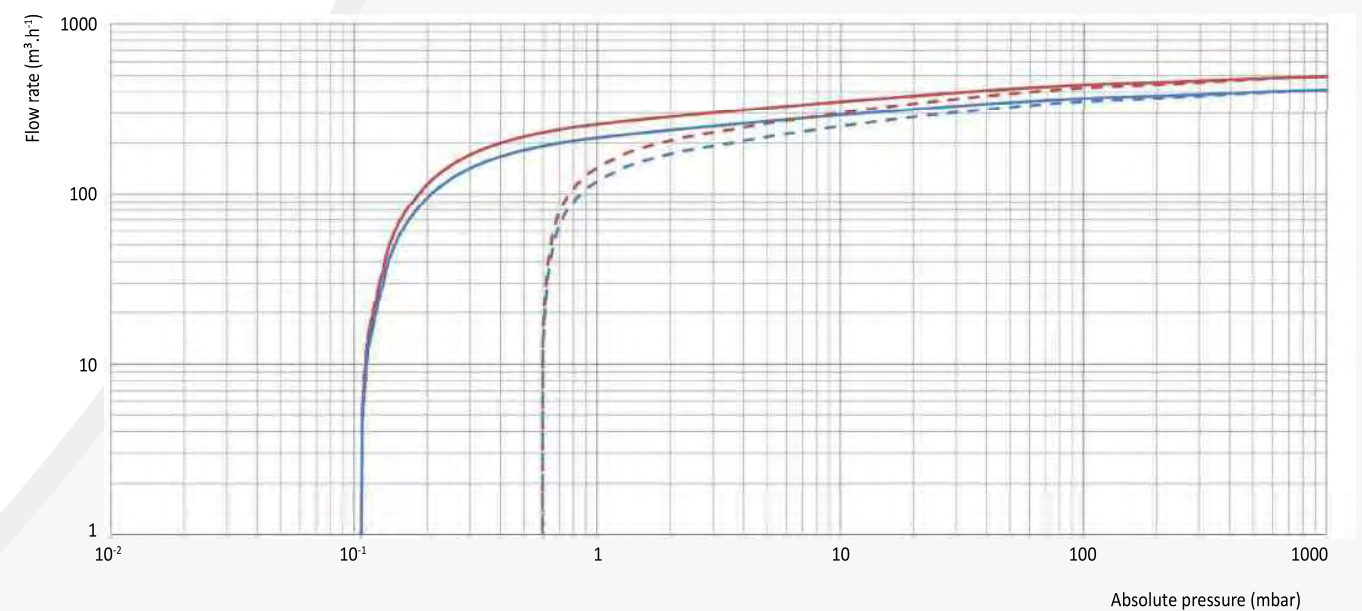


4 Elevated base frame for 1 pump

Pumping speed on 1000 l vessel



Performance curves



— 60 Hz - without gas ballast - - - 60 Hz - with opened gas ballast
— 50 Hz - without gas ballast - - - 50 Hz - with opened gas ballast

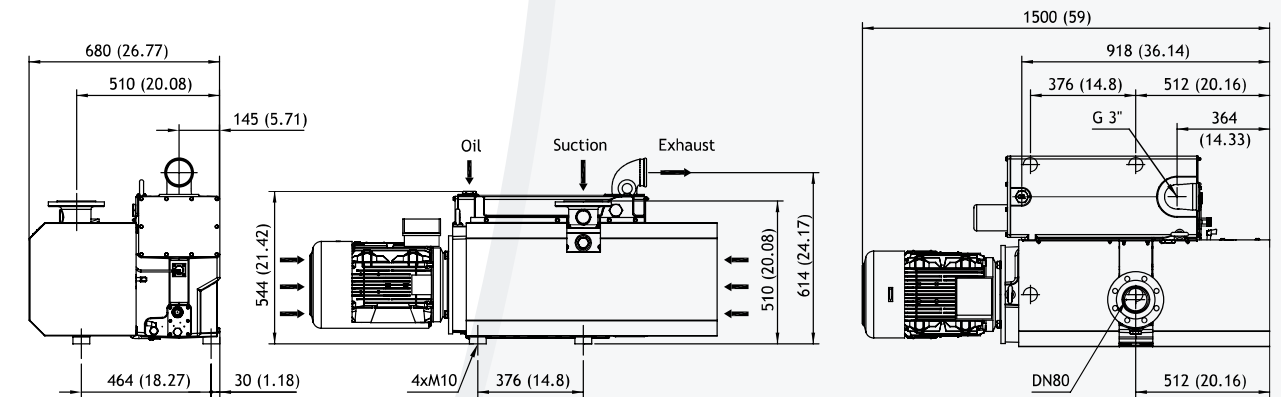
EVISA E500.R



The lubricated rotary vane pumps EVISA are designed to be used in a wide range of industrial and healthcare applications. They can run continuously from atmospheric pressure to ultimate vacuum. They are silent and extremely robust.

- Single stage vacuum pump
- Continuous operation from atmospheric pressure to end vacuum : 1.10^{-1} mbar
- High pumping speed even at low pressure
- Integrated oil mist filter on the exhaust
- IE3 motor

Dimensions mm (inch)



Technical characteristics

		50 Hz	60 Hz
E500.R HV	Nominal flow rate $m^3 \cdot h^{-1} - cfm$	513 - 302	616 - 362,6
	PNEUROP pumping speed ⁽¹⁾ $m^3 \cdot h^{-1} - cfm$	496 - 291,6	595 - 350,2
	Pumping speed at 1 mbar inlet pressure ⁽¹⁾ $m^3 \cdot h^{-1} - cfm$	266 - 156,6	320 - 188,3
	Without gas ballast End vacuum mbar - torr	$\leq 1.10^{-1} - 8.10^{-2}$	$\leq 1.10^{-1} - 8.10^{-2}$
	Fully opened gas ballast		
E500.R	Without gas ballast End vacuum mbar - torr	$\leq 3 - 2,3$	$\leq 3 - 2,3$
	Fully opened gas ballast		
	100 % synthetic oil	MV99S	MV99S
	Oil capacity l - qt	14 - 14,8	14 - 14,8
	Noise level dB(A)	73	77

⁽¹⁾ Measurements according to PNEUROP 6602 specifications - 20°C

Versions

GEOGRAPHIC ZONE	EUROPE	ASIA MIDDLE-EAST
Number of phases	3	3
Voltage V	400 / 690	380
Period Hz	50	60
Motor power	11 kW	13,2 kW
Rotation speed min^{-1}	1000	1200
Inlet connection ⁽²⁾	DN80 / 3" BSP	DN80 / 3" BSP
Outlet connection ⁽²⁾	3" BSP	3" BSP
Weight with oil kg - lb	462 - 1019	497 - 1096

⁽²⁾ DN 80 ISO-K connector can be supplied, see accessories

References

	E500.R HV		E500.R	
	WITH GAS BALLAST	WITHOUT GAS BALLAST	WITH GAS BALLAST	WITHOUT GAS BALLAST
EUROPE 3ph, 400/690V-50Hz	823913 + 723973	823913	823912 + 723973	823912
ASIA / MIDDLE-EAST 3ph, 380V-60Hz	Contact us	Contact us	Contact us	Contact us

EVISA H₂O version : contact us

Maintenance kits

3 000 hour usual maintenance with viton o'rings for oil mist filters	724184
12 000 hour preventive maintenance	724191
Gasket set	624479



3 000 hour usual maintenance



12 000 hour preventive maintenance

EVISA E500.R

Accessories and Options

1 Oil Level Safety (OLS) with float		624398
Additional filter for gas ballast		617710
Timer box for oil level safety (base mounting)		670810
NC bimetal temperature safety - opening at 120°C - Max 24V		624389
Oil Level Safety and PT100 temperature sensor		624405
PT100 temperature sensor		624388
2 3" BSP suction filter	Paper cartridge	717369
Type 301	Polyester cartridge	717370
	Carbon cartridge	717371
Vacuum gauge fitted on filter		617536
Vacuum-tight suction filter	Paper cartridge	361627
ST301 straight-through	Polyester cartridge	620166
Deflector for filters CT 301 and ST 301		215696
Bracket for mural fixing for filters CT, ST & Liquid trap		617512
Flanges DN 80 for filters CT, ST & Liquid trap		617513
	Aluminium head/ polycarbonate cylinder / without float	724809
3 Liquid trap 300	Aluminium head / polycarbonate cylinder / with float	724810
696 m ³ .h ⁻¹	Pyrex bottle 250 ml under trap assembly	615441
3" BSP	Pyrex bottle 500 ml under trap assembly	615442
	Pyrex bottle 1000 ml under trap assembly	615443
Electro-pneumatic automatic drain with control board		816002
Electrical automatic drain with control board		816003
Vacuum hose (0,6 m) DN80		618269
Vacuum hose (1 m) DN80		617833
Vacuum hose (1,5 m) MM 3" BSP		719925
Vacuum hose (4 m) M 3" BSP - DN80		618573
Base frame assembly height 200 mm		624328
4 Elevated base frame	For 1 pump	624329
(H=525 mm)		
Direct starter	Without regulation contact 3-ph 400V	719238
(wall mounting)	With regulation contact LG7 3-ph 400V	719239
Star / Delta starter 400V + N + E (without pressure valve)		718391
- Electrical unloading valve (230V-50Hz)		617496
- Pneumatic unloading valve (6 bar)		618257
Exhaust double elbow mounting		623534
Double acting electric butterfly cast iron valve DN80 with electric actuator 5/2 NF 230V-50Hz		617522
Double acting pneumatic butterfly cast iron valve DN80 with electric actuator 5/2 NF 230V-50Hz		617523
Aluminium adapter M3" / DN80 ISO K		117130
Aluminium adapter DN80 ISO K		117129
Aluminium clamping collar DN63/250 ISO K	4 X 361653	
Centering ring Aluminium / PERBUNAN		361650
Stainless steel hose (0,5 m) DN80 ISO K		361651
Stainless steel hose (1 m) DN80 ISO K		361652



1 Oil Level Safety



2 suction filter type 301

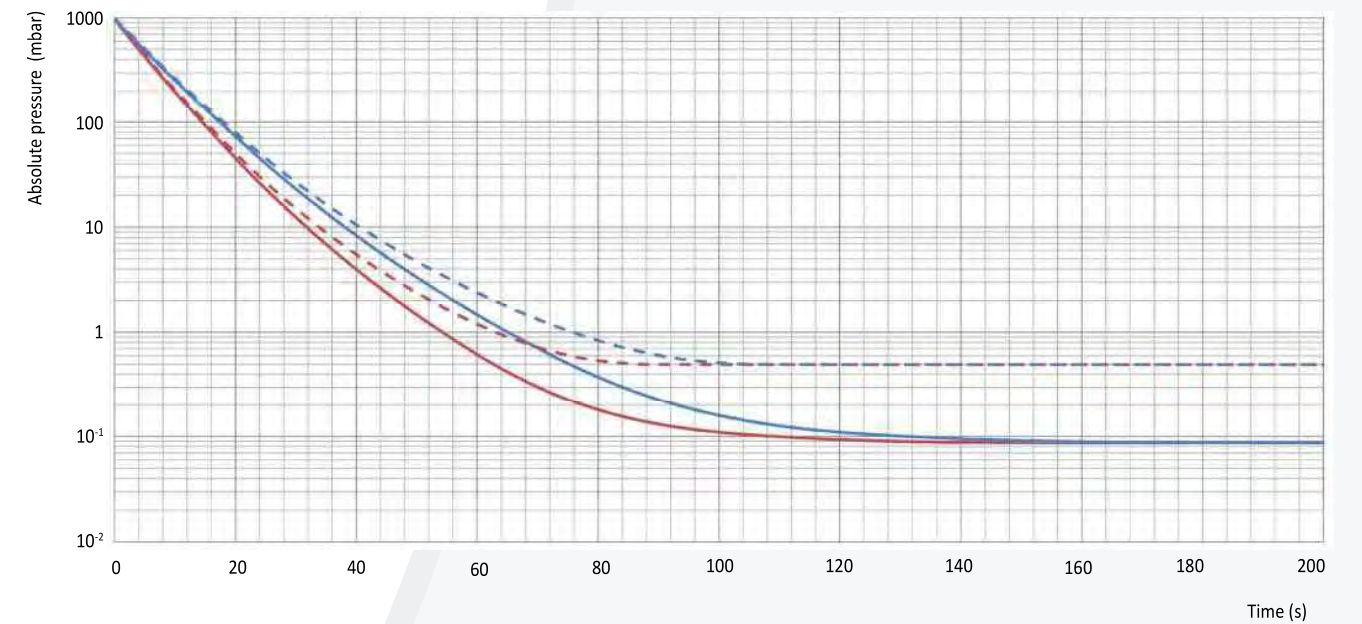


3 Liquid trap 300 with mechanical stop and optional bottle

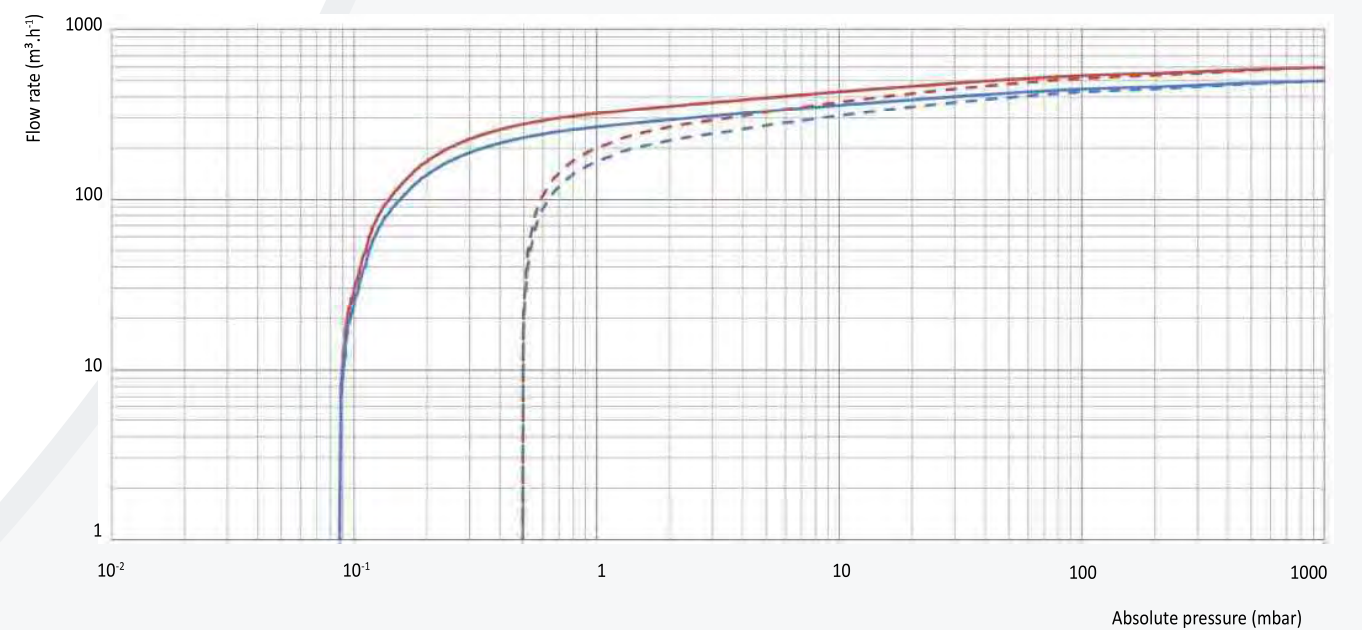


4 Elevated base frame for 1 pump

Pumping speed on 1000 l vessel



Performance curves



— 60 Hz - without gas ballast
— 50 Hz - without gas ballast

- - 60 Hz - with opened gas ballast
- - 50 Hz - with opened gas ballast

MEDIVAC 2, 3 & V3- EVISA

- Duplex and triplex central vacuum systems
- Lubricated rotary vane vacuum pumps EVISA.R type
- Dual power supply
- Shock mounted
- Available regulation modes (see the set-up layout)
- Fit to NF EN ISO 7396-1 and HTM BS standard
- FLEXO constant vacuum : regulation device allowing to use small capacity receivers
- Remote monitoring with CYCLIC 2020 control board
- Integrated HEPA parallel duplex bacterial filtration
- Integrated network alarm
- Optional suction and exhaust hoses

Characteristics

MEDIVAC 2 EVISA Lubricated pumps	Nominal capacity m ³ .h ⁻¹		Power kW		Receiver capacity l	Filtration	Noise level dB(A)	Weight kg
	50 Hz	60 Hz	50 Hz	60 Hz				
MEDIVAC 2 - E25.R	2 x 28	2 x 33	2 x 0,75	2 x 0,9	500	FD60DP	59	240
MEDIVAC 2 - E40.R	2 x 44	2 x 53	2 x 1,1	2 x 1,32	500	FD130DP	58	250
MEDIVAC 2 - E65.R	2 x 68	2 x 81	2 x 1,5	2 x 1,8	500	FD130DP	67	385
MEDIVAC 2 - E100.R	2 x 100	2 x 120	2 x 2,2	2 x 2,64	500	FD260DP	67	390

MEDIVAC 3 EVISA Lubricated pumps	Nominal capacity m ³ .h ⁻¹		Power kW		Receiver capacity l	Filtration	Noise level dB(A)	Weight kg
	50 Hz	60 Hz	50 Hz	60 Hz				
MEDIVAC 3 - E25.R	3 x 28	3 x 33	3 x 0,75	3 x 0,9	500	FD60DP	59	276
MEDIVAC 3 - E40.R	3 x 44	3 x 53	3 x 1,1	3 x 1,32	500	FD130DP	58	292
MEDIVAC 3 - E65.R	3 x 68	3 x 81	3 x 1,5	3 x 1,8	500	FD130DP	67	455
MEDIVAC 3 - E100.R	3 x 100	3 x 120	3 x 2,2	3 x 2,64	500	FD260DP	67	465

MEDIVAC V3 EVISA Lubricated pumps	Nominal capacity m ³ .h ⁻¹		Power kW		Receiver capacity l	Filtration	Noise level dB(A)	Weight kg
	50 Hz	60 Hz	50 Hz	60 Hz				
MEDIVAC V3 - E200.R	3 x 200	3 x 240	3 x 4	3 x 4,8	-	FD640DP	71	725
MEDIVAC V3 - E300.R	3 x 300	3 x 360	3 x 5,5	3 x 6,6	-	FD1200DP	72	815

Available set-up

	MEDIVAC
CYCLIC 2020 (C2020)	■
MILLENNIUM (MIL)	■

■ Available

Power supply

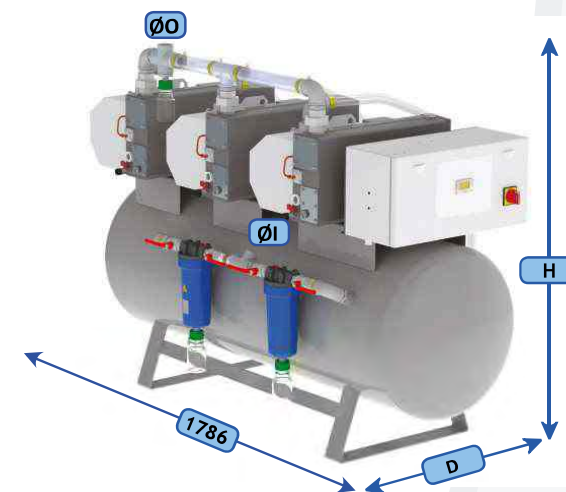
- 3-phase, 400V+N+E / 50Hz (standard)
- Other tensions and frequencies on request



Range complying with 93/42/CEE directive

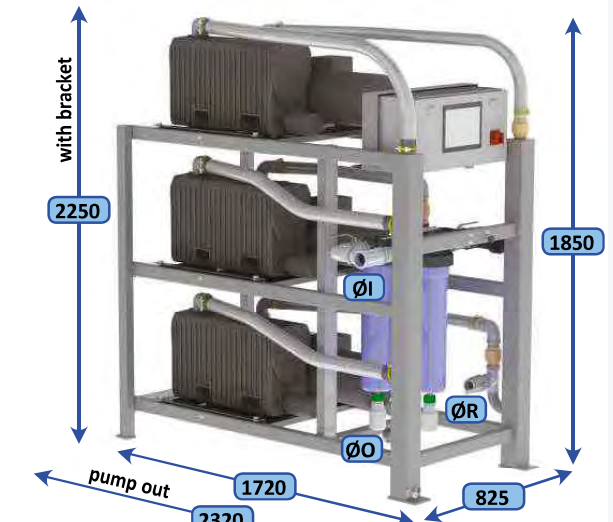
Dimensions (mm)

MEDIVAC 2 & 3 - E25.R to E100.R



MEDIVAC 2 & 3	D	H	ØI	ØO
E25.R/ E40.R	815	1230	F1"	F1"
E65.R / E100.R	820	1327	F1"1/4	F1"1/4

MEDIVAC V3 - E200.R & E300.R



MEDIVAC V3	ØI	ØO	ØR
E200.R	F2"	F2"	F2"
E300.R	F2"	F2"	F2"

Plant references

MEDIVAC 2	E25.R R50	E40.R R50	E65.R R50	E100.R R50	MEDIVAC V3	E200.R	E300.R
MEDIVAC 2 C2020	924472	924473	924474	924475	MEDIVAC V3 C2020	924467	924466
MEDIVAC 2 MIL	924454	924455	924456	924457	MEDIVAC V3 MIL	924470	924471

Accessories and option references

MEDIVAC	E25.R	E40.R	E65.R	E100.R	E200.R	E300.R
Oil level security	C2020/MIL		724694 x X	724955 x X	619196 x X	
Oil level + T°C securities	C2020/MIL		724695 x X	724956 x X	623325 x X	
FLEXO or ON/OFF external control	C2020		weekly clock		613996	
Clock forced running	C2020				617608	
Report Status (with electrical cords)	C2020				625641	
Audio-warning system	MIL				618295	
Back up power supply 24V			with battery		625004	
Transformer 400V/230V			If no neutral available		611099	
Suction hose with non-return valve	Ø25x 1200 623707	Ø35x 1200 623709	Ø45x 1200 623711			
Exhaust hose	Ø25x 1200 623708	Ø40x 1200 623710	Ø50x 1200 623712			
Hose to connect receiver					607592	
Bracket					624709	
Chain hoist					360280	
Vertical receiver with vacuum gauge & drain	1 x 2000 l				722341	